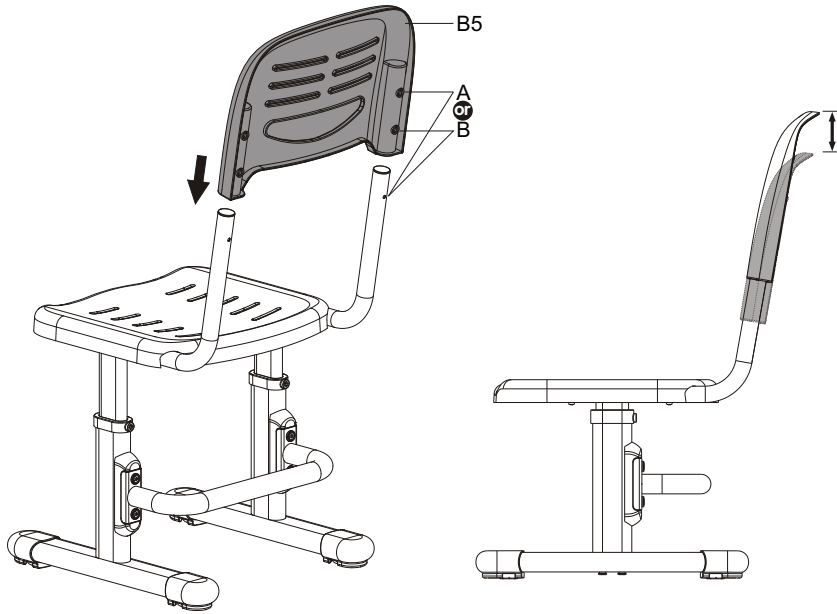
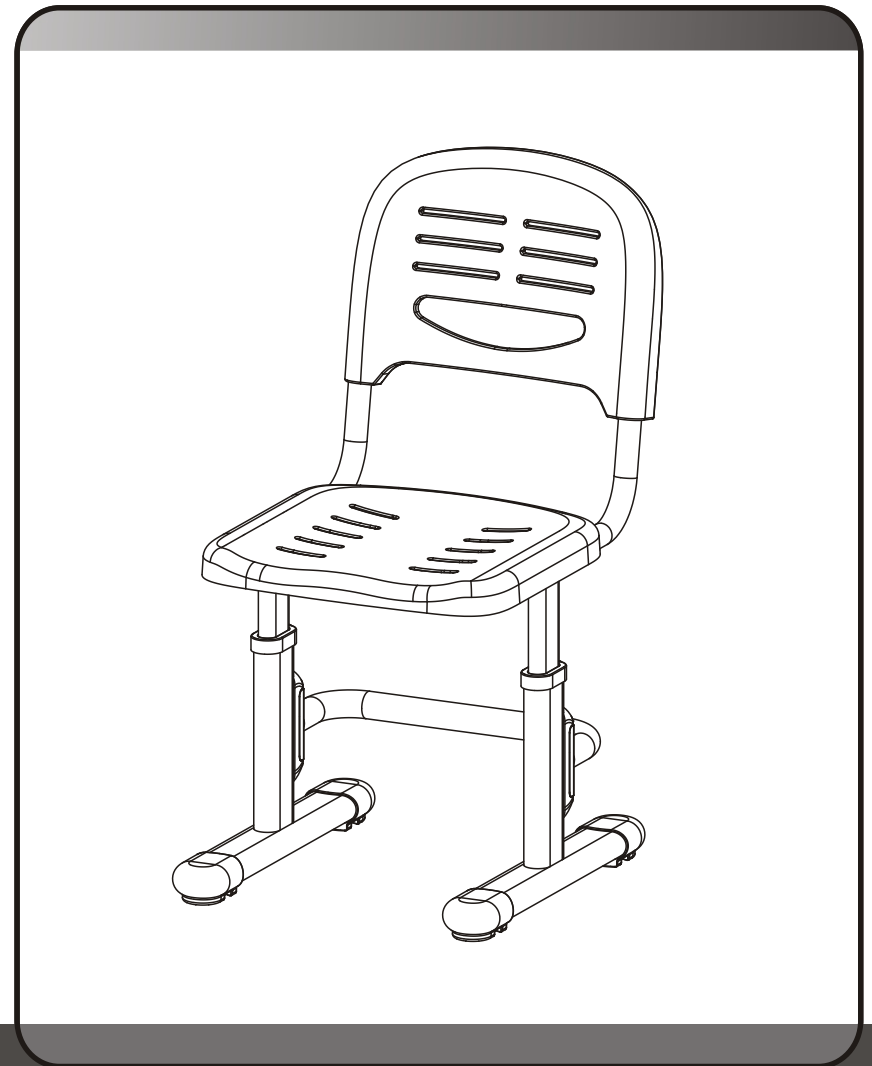
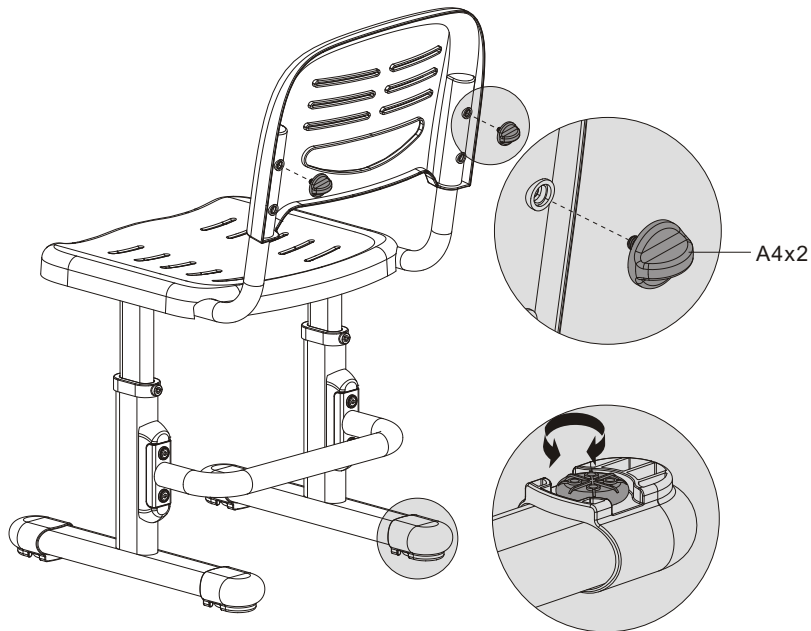


3

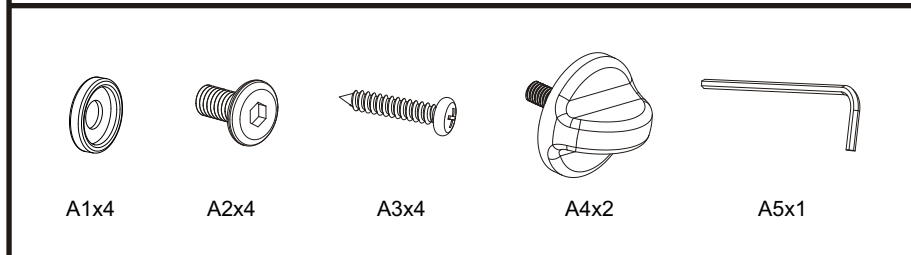
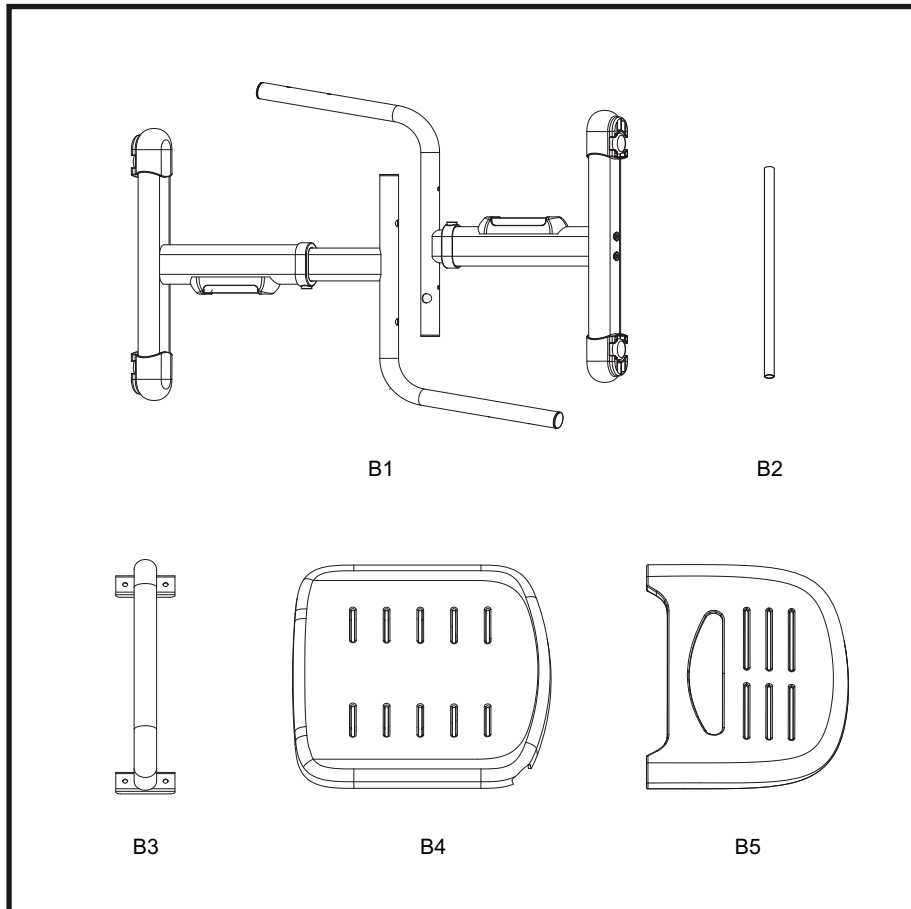


4



Ergonomic Study Chair

ASSEMBLY INSTRUCTIONS



CAUTION!

1. This product is intended for indoor use only.
2. This product should be placed on the flat ground.
3. Once water, oil and other liquid adhere to the surface of product, you should quickly wipe it clean.
4. Please regularly check and fasten joint parts in case of product shake and loosening.
5. Do not lay product in place of the corrosive gas and moisture in case of surface damage.
6. Never fasten screws tightly before all screws fixed to the right place.
7. Please use damp cloth to clean the chair.

