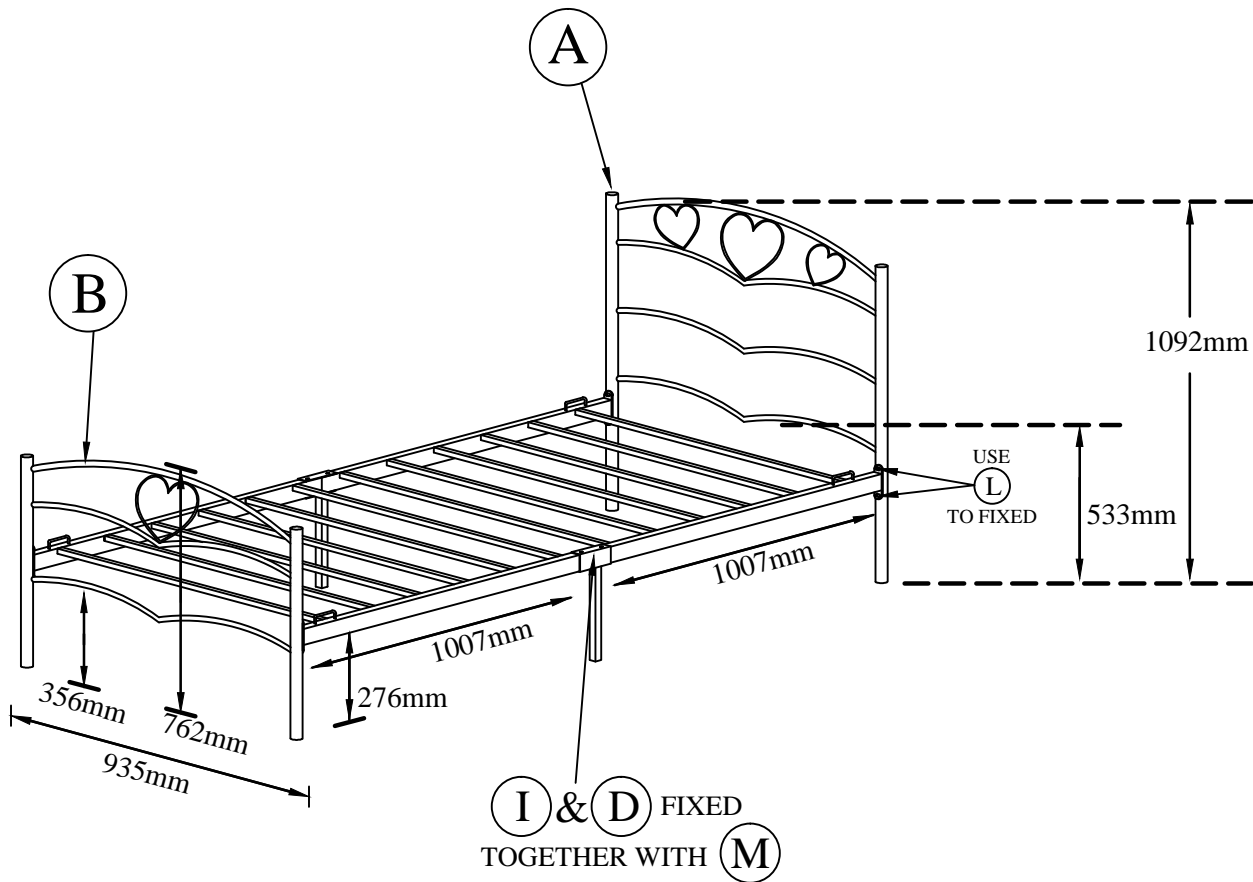


ASSEMBLY INSTRUCTION ROXIE SINGLE BED



PART LIST		
<p>A. Head board Metal Post</p> <p style="text-align: right;">991mm</p>	<p>B. Foot board Metal Post</p> <p style="text-align: right;">660mm</p>	<p>D. Right Metal Slat (1pc) & Left Metal Slat (1pc)</p>
		<p>I. Support Legs (2 pcs)</p>

HARDWARE LIST				
K1.		L Allen Key M4		1 pc
K2.		L Allen Key M5		1 pc
L.		M6 x 25mm Bolt	Metal Slat	8 pcs
M.		M8 x 70mm Bolt With Hex Nut	Metal Slat with Support leg	4 pcs